

The Power **Safe** OPzV range are valve regulated lead-acid cells which use a proven combination of GEL and tubular technologies to offer a very high level of reliability. These single cells benefit from an optimized plate design which gives capacities in excess of the DIN standard values. In addition, the Power **Safe** OPzV range offers both a long oot life and a high cycle life for a truly flexible solution.

---

## RANGE SUMMARY

---

Power **Safe** OPzV batteries are suitable for a broad range of applications including telecommunications, telephony, power generating stations and distribution systems, railway, airport and seaport signalling, computing, emergency lighting, automation and measuring systems.

### Features & Benefits

- Capacity range: 215Ah to 3170Ah
- C<sub>10</sub> capacities exceed the DIN standard values
- Highest EUROBAT classification 'Long Life'
- Excellent deep discharge recovery and cyclability
- Increased operational safety with fully insulated connectors, immobilized electrolyte and one way pressure relief valve with an integral flame arrestor
- Easy installation: vertical or horizontal position
- Very low maintenance: no water addition



Manufacture under license and distributor in Israel :

## Construction

**Positive Electrode** - Tubular plate with Lead-Calcium-Tin alloy

**Negative Electrode** - Flat plate with Lead- Calcium alloy grid

**Separator** - Low resistance microporous material

**Case Material** - Container and lid in ABS; optional flame retardant ABS available (UL94 V-0)

**Electrolyte** - Sulfuric acid, immobilized as a gel

**Terminal Design** - Terminals with brass insert and M10 stainless steel bolts.

Coloured washers are provided for easy polarity recognition

**Connectors** - Insulated solid copper connector (0.79" x 0.12") for vertical installations or insulated flexible cable connectors for horizontal installations.

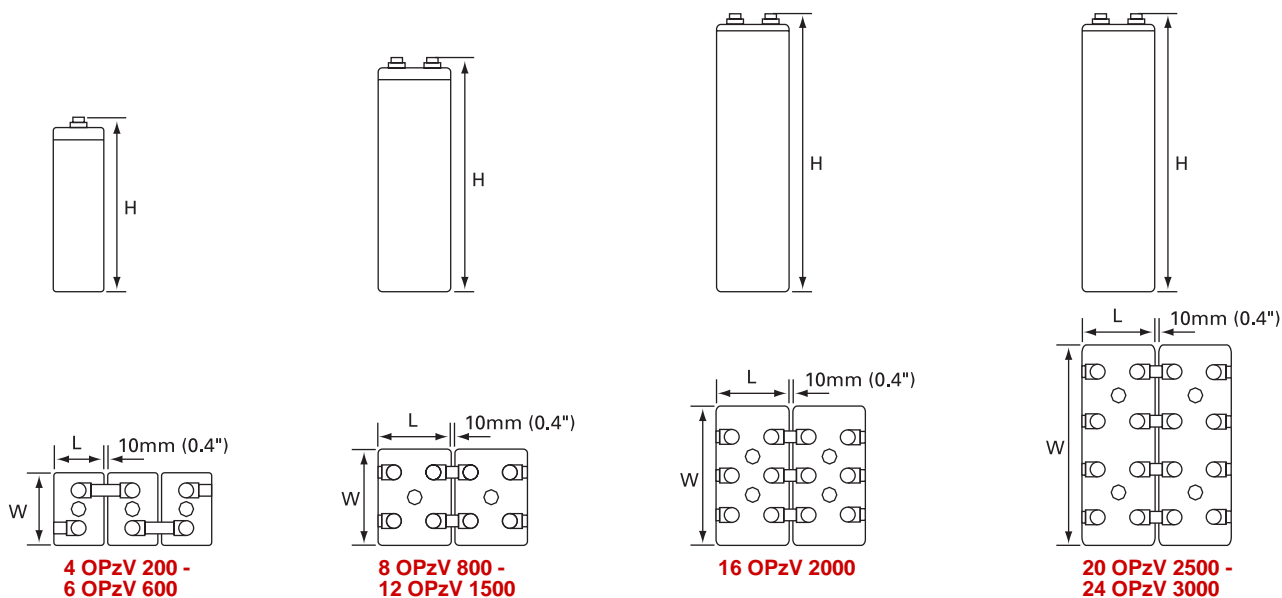
Each connector design is of the bolt-on type and allows for voltage measurements

**Pressure Relief Valve** - One way valve with integral flame arrestor

## General Specifications

Type	Nominal Voltage (V)	Terminal Pairs	Nominal Capacity (Ah)		Nominal Dimensions						Typical Weight kg lbs	Short Circuit Current (A)	Internal Resistance (m)	
			10 hr rate to 1.80Vpc @20°C	8 hr rate to 1.75Vpc @77°F	Length		Width		Height					
			mm	in	mm	in	mm	in	kg	lbs				
4 OPzV 200	2	1	215	215	103	4.1	206	8.1	403	15.8	19.5	43.0	2266	0.92
5 OPzV 250	2	1	265	265	124	4.9	206	8.1	403	15.8	23.5	51.9	2803	0.74
6 OPzV 300	2	1	320	320	145	5.7	206	8.1	403	15.8	28.0	61.8	3317	0.63
5 OPzV 350	2	1	385	385	124	4.9	206	8.1	520	20.3	31.0	68.4	3630	0.57
6 OPzV 420	2	1	465	465	145	5.7	206	8.1	520	20.3	36.5	80.5	4271	0.49
7 OPzV 490	2	1	540	540	166	6.5	206	8.1	520	20.3	42.0	92.6	4883	0.43
6 OPzV 600	2	1	705	705	145	5.7	206	8.1	695	27.3	50.0	110.3	3796	0.55
8 OPzV 800	2	2	940	940	210	8.2	191	7.5	695	27.3	68.0	150.0	5200	0.40
10 OPzV 1000	2	2	1170	1170	210	8.2	233	9.2	695	27.3	82.0	180.8	6460	0.32
12 OPzV 1200	2	2	1410	1410	210	8.2	275	10.8	695	27.3	97.0	213.9	7675	0.27
12 OPzV 1500	2	2	1580	1580	210	8.2	275	10.8	845	33.3	120.0	264.6	7510	0.28
16 OPzV 2000	2	3	2110	2110	212	8.3	397	15.6	820	32.3	165.0	363.8	10048	0.21
20 OPzV 2500	2	4	2640	2640	212	8.3	487	19.2	820	32.3	200.0	441.0	12606	0.17
24 OPzV 3000	2	4	3170	3170	212	8.3	576	22.3	820	32.3	240.0	529.2	14964	0.14

The electrical values shown in the table relate to loadings from a fully charged condition at ambient temperature of 20 °C (68°F) (unless otherwise specified)



## Operation

• Recommended float charge voltage: 2.25Vpc at 20°C (68°F) and 2.23Vpc at 25°C (77°F)

• Recommended temperature range: -10°C to 45°C (14°F to 113°F) preferred value 20°C (68°F)

• Cells can be installed horizontally to minimize use of floor space

• Optional racking offers easy installation and space saving accommodation

## Standards

• Conforms to both the DIN standard 40742 (valve regulated OPzV single cells) and the international standard IEC 60896-2

• Classified as 'long life' according to the EUROBAT guide 1999

• Low ventilation requirement according to EN 50272-2

• EnerSys manufacturing facilities worldwide are certified to ISO 9001

Manufacture under license and distributor in Israel :



Goren Industrial Zone, P.O.B. 1022 - Post Mobile, Western Galilee, 22850, Tel: +972 (4) 9807766, Fax: +972 (4) 9807755