



unigy II

Tomorrow's energy systems...today



**EVEN
MORE
POWER**
in LESS SPACE

**NEW
2000 AH
DESIGN**

**PATENTED
SPACE SAVER™
INTERLOCK™
MODULE**

**LESS SPACE
& EVEN
GREATER
POWER THAN
PREVIOUS
DESIGN**

**ZONE 4
RATED***

**CATALYST
VENT**


UL Recognized Component

QUALITY SYSTEM
CERTIFIED TO
ISO 9001
ISO/TS 16949

Made in U.S.A.

AVR125 – 2000 AH

AVR125-33 A.H. CAPACITY

Volts Per Cell (V.P.C.)	3 HR	4 HR	5 HR	6 HR	8 HR	10 HR	12 HR	20 HR	24 HR
1.75	1551	1657	1759	1853	2000	2104	2182	2367	2423

AVR125-33 DISCHARGE RATE IN AMPS

Volts Per Cell (V.P.C.)	3 HR	4 HR	5 HR	6 HR	8 HR	10 HR	12 HR	20 HR	24 HR
1.75	516.9	414.3	351.9	308.8	250.0	210.4	181.8	118.4	101.0

AVR125-33 DISCHARGE RATE IN WATTS

Volts Per Cell (V.P.C.)	3 HR	4 HR	5 HR	6 HR	8 HR	10 HR	12 HR	20 HR	24 HR
1.75	998.7	809.8	689.2	607.0	493.8	416.7	361.0	236.3	201.8

Specific Gravity: 1.300 Float Voltage: 2.25 +/- .01 volts per cell

AVR125LG – 1800 AH

AVR125LG-33 A.H. CAPACITY

Volts Per Cell (V.P.C.)	3 HR	4 HR	5 HR	6 HR	8 HR	10 HR	12 HR	20 HR	24 HR
1.75	1395	1491	1583	1667	1800	1893	1963	2130	2180

AVR125LG-33 DISCHARGE RATE IN AMPS

Volts Per Cell (V.P.C.)	3 HR	4 HR	5 HR	6 HR	8 HR	10 HR	12 HR	20 HR	24 HR
1.75	465	373	317	278	225	189	164	107	91

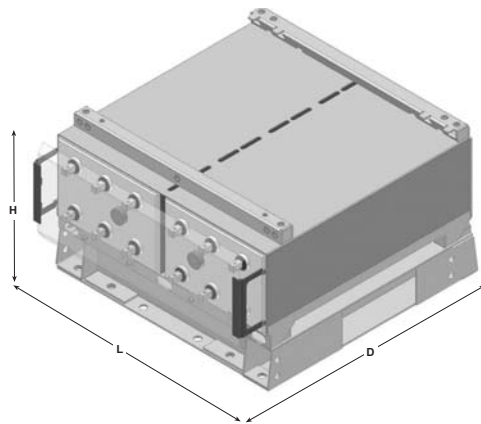
Specific Gravity: 1.250 Float Voltage: 2.21 +/- .01 volts per cell

“NEW”
LOW
GRAVITY

No. Cells/Module	No. Plates/Cell	Part Numbers ¹	Module Volts	Amp Hour C/8 @ 1.75 vpc	Dimensions			
					Length ² (mm)	Depth ³ (mm)	Height ⁴ (mm)	Weight ⁵ (kgs.)
2	33	AVR125-33	4	2000	26.60" (676)	28.63" (727)	11.91" (303)	718 lbs. (326)

* Modules have been tested and certified to NEBS Zone 4. (See East Penn for more information.)

- ¹ Flame retardant polypropylene jars and covers standard.
- ² For system length, take dimension and multiply by number of stack.. For side termination, add an additional 6" (3" per side).
- ³ Includes front shield.
- ⁴ For module stack height, subtract 1.5" from height and multiply the number of modules and then add 1.5". For overall battery height (top termination) add 4" for base, 1.5" for termination bracket and 6.25" for top shield.
- ⁵ Weight includes module plus cells, but not cell hardware or base.



EAST PENN manufacturing co., inc.

Manufacture under license and distributor in Israel : ISRAELI INDUSTRIAL BATTERIES (I.I.B.) LTD.

Goren Industrial Zone, P.O.B. 1022 - Post Mobile, Western Galilee, 22850, Tel: +972 (4) 9807766, Fax: +972 (4) 9807755